

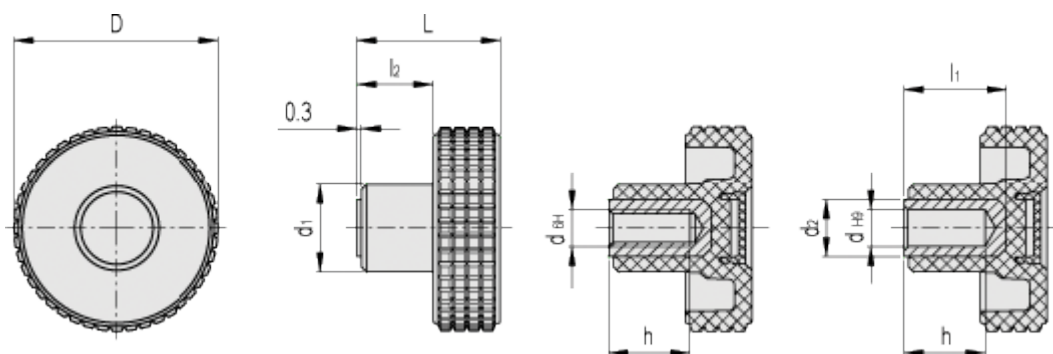
# Data Sheet



Article number: 23020346169

Description: E+G Fingergreb MBT.70-B-M14-C9, black centre cap

## Measures



D = 70

d1 = 24

d2 = -

dH6 = M14

dH9 = -

h = 20

L = 42

l1 = -

l2 = 20.5